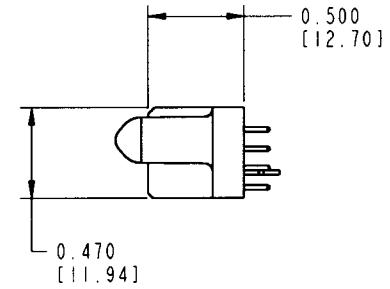
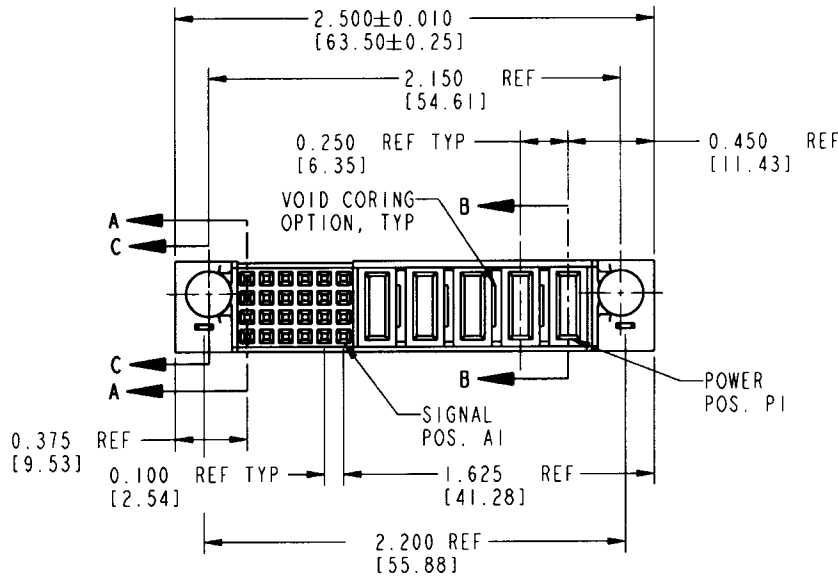


Tous droits strictement réservés. Reproduction ou communication à des tiers interdite sous quelque forme que ce soit sans autorisation écrite du propriétaire. Propriété de c FCI. Droits de reproduction FCI.

All rights strictly reserved. Reproduction or issue to third parties in any form whatever is not permitted without written authority from the proprietor. Property of FCI. Copyright FCI.



PRODUCT No. 51742-10502400AA	ROWS D C B A	SIGNAL					POWER							
		E2	6	5	4	3	2	1	P5	P4	P3	P2	P1	E1



CODE	CONTACT TYPE
E	SIGNAL
PA	POWER
HA	HOLD-DOWN

mat'l code		NOTE 1		tolerances unless otherwise specified		CUSTOMER		ELECTRONICS	
lfr	ecm no.	dr	date	linear	.XX±.01/0.X±0.3	COPY		www.fciconnect.com	
A	V02958	JWS	12/27/00	angles	.XXX±.005/0.XX±0.13	projection		title	
					.XXX±.0020/.XXX±.051			5P + 24S	
					0°±2°	INCH/MM		VERTICAL SOLDER RECEPTACLE	
				dr	J. SHAFFER 12/27/00	scale		product family	
				enr	J. DODDS 12/27/00	1:1		PwrBlade	
				chr	J. DODDS 12/27/00	A		code	
				appd	J. DODDS 12/27/00			213	
sheet index	revision sheet	A	A	A				sheet	
		1	2	3				1 of 3	

Pro/E

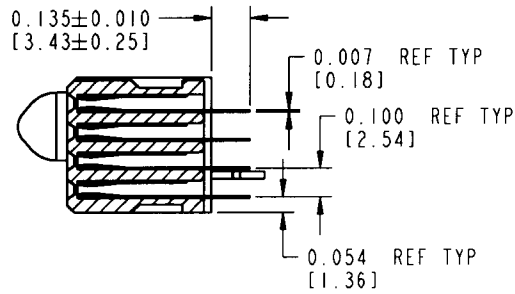
cage code 22526

Tous droits strictement réservés. Reproduction ou communication à des tiers interdite sous quelque forme que ce soit sans autorisation écrite du propriétaire. Property of FCI. Droits de reproduction FCI.

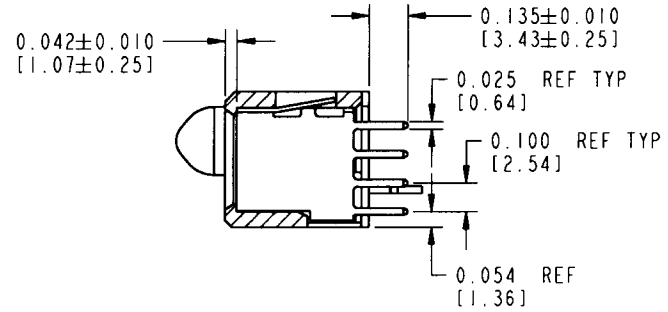
All rights strictly reserved. Reproduction or issue to third parties in any form whatever is not permitted without written authority from the proprietor. Property of FCI. Copyright FCI.



PRODUCT NUMBER
51742-10502400AA



SECTION A-A
SCALE 3:2



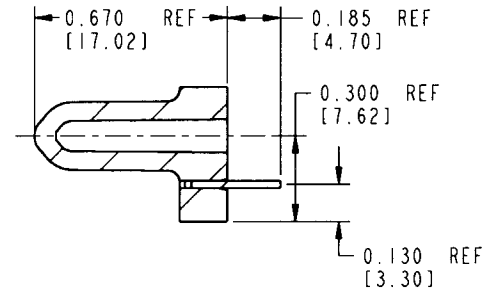
SECTION B-B
SCALE 3:2

CONNECTOR NOTES:

- ① FOR ADDITIONAL INFORMATION, REFER TO DRAWING NUMBER 51742

PCB NOTES:

- ALL DIMENSIONS ARE BASIC UNLESS OTHERWISE SPECIFIED.
- ALL THROUGH HOLES ARE LOCATED WITH A TRUE POSITION OF 0.004 [0.10]
- ALL HOLE DIAMETERS ARE FINISHED HOLE SIZE
- Ø 0.098 [2.49] THROUGH HOLES ARE UNPLATED
- Ø 0.0453±0.0010 [1.151±0.025] DRILLED HOLES PLATED WITH 0.0003 [0.008] MIN SnPb OVER 0.001 [0.03] TO 0.003 [0.08] Cu PLATING TO ACHIEVE A Ø 0.040±0.003 [1.02±0.07] HOLE



SECTION C-C
SCALE 3:2

mat'l code		NOTE 1		tolerances unless otherwise specified		CUSTOMER		FCI ELECTRONICS		
lfr	ecn no.	dr	date	linear	.XX±.01/0.XX±0.3	projection	COPY	www.fciconnect.com		
A				linear	.XXX±.005/0.XX±0.13			title		
				angles	.XXX±.0020/.XXX±.051			5P + 24S		
					0°±2°			VERTICAL SOLDER RECEPTACLE		
				dr	J. SHAFFER 12/27/00			product family		code
				enrg	J. DODDS 12/27/00			PwrBlade		213
				chr	J. DODDS 12/27/00			size		sheet
				appd	J. DODDS 12/27/00	scale		2		
sheet index	revision sheet					1:1		A 51742-10502400AA		

1 | 2

Pro/E

3 |

cage code 22526

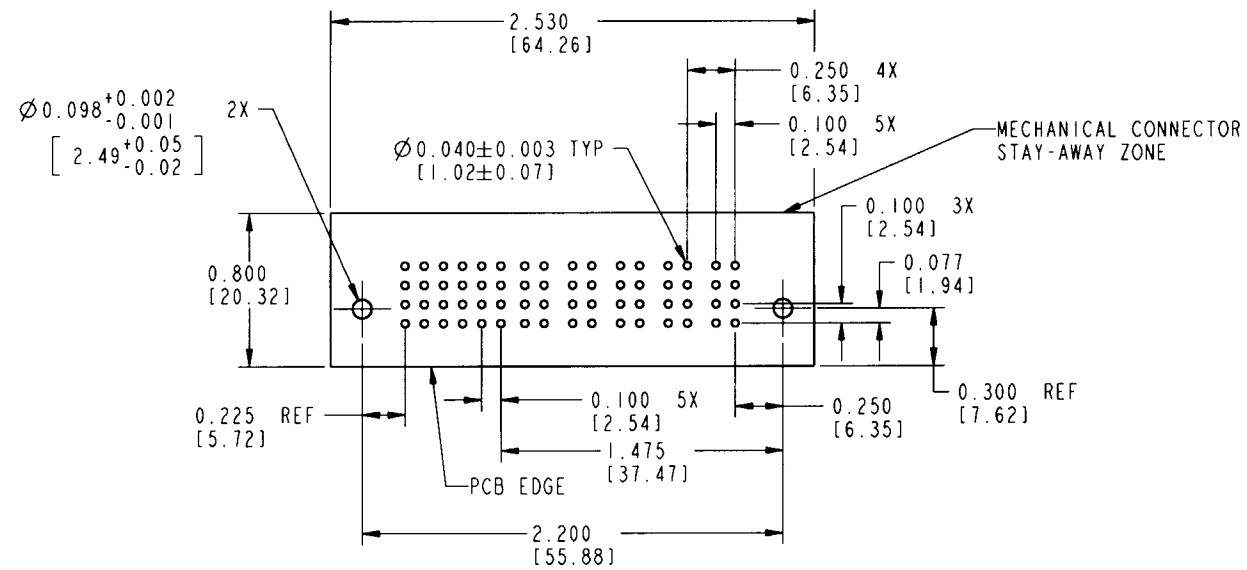
4

Tous droits strictement réservés. Reproduction ou communication a des tiers interdite sous quelque forme que ce soit sans autorisation écrite du propriétaire. Propriété de c FCI. Droits de reproduction FCI.

All rights strictly reserved. Reproduction or issue to third parties in any form whatever is not permitted without written authority from the proprietor. Property of FCI. Copyright FCI.



PRODUCT NUMBER
51742-10502400AA



RECOMMENDED PCB LAYOUT

mat'l code		NOTE 1		tolerances unless otherwise specified		CUSTOMER		ELECTRONICS www.fciconnect.com		
lir	ecn no.	dr	date	linear	.XX±.01/0.XX±0.3	COPY		 title 5P + 24S VERTICAL SOLDER RECEPTACLE	product family PwrBlade code 213	
A					.XXX±.005/0.XX±0.13	projection				 product family PwrBlade code 213
					.XXX±.0020/.XXX±.051	 scale 1:1				
				angles 0°±2°	dr	J. SHAFFER	12/27/00			
					enr	J. DODDS	12/27/00			
					chr	J. DODDS	12/27/00			
					appd	J. DODDS	12/27/00			
sheet index	revision sheet									